

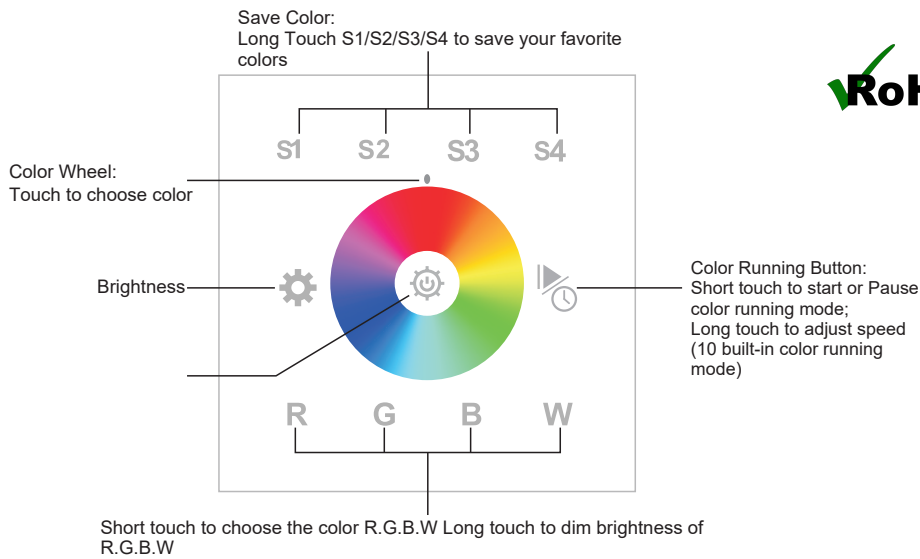
# CONTROLLER



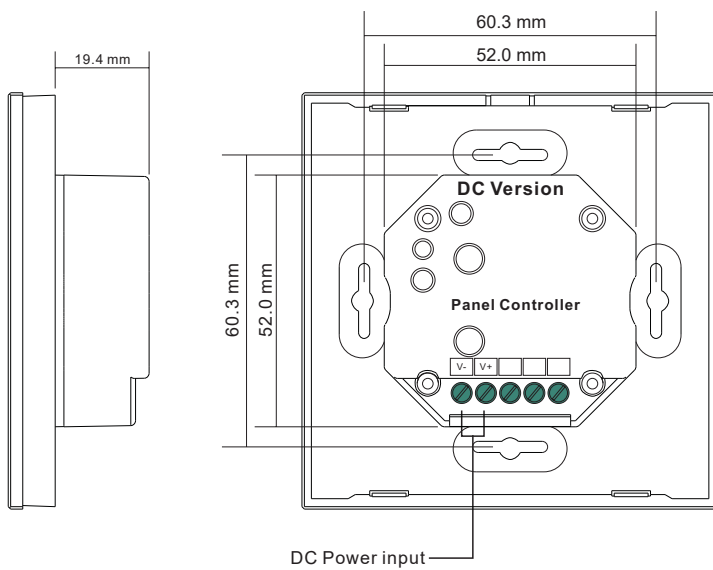
## DMX512 RGBW Wall Mounted Controller

**Important:** Read all instructions Prior to Installation

### Function introduction



Front side



Back side

## Product Data for DVT02068

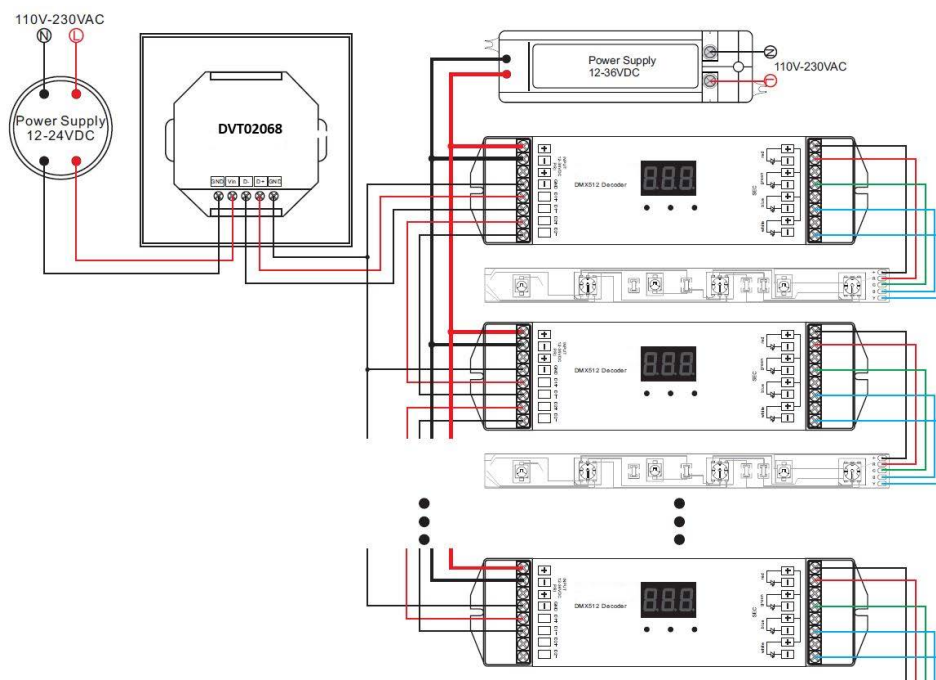
DVT02068	
Output Signal	DMX512 Signal
Power Supply	12-24VDC
Power consumption	20 mA
Operating temperature	0-40°C
Relative humidity	8% to 80%
Dimensions	86x86x29.1mm

- Touch sensitive
- Glass interface(white & black)
- Control RGBW color
- Control 1 zone
- Waterproof grade: IP20

## Safety & Warnings

- DO NOT install with power applied to device.
- DO NOT expose the device to moisture.

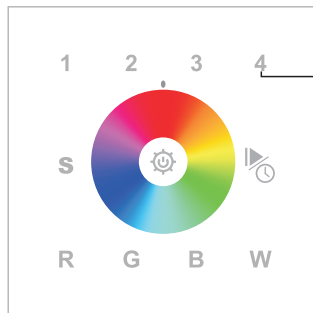
## Wiring diagram






## Operation

After connect well with DMX decoders, please set the DMX decoders address as below:



### Color modes:

buttons can save the color from mode or save color when you touch color wheel or touch buttons.

Press button , mode runs, see favorite mode----> press **S1** **rS2** **rS3** **rS4** button over 3 seconds until connected light flashes. Then it saved successfully.

Touch color wheel or touch color temperature button or touch any **R G B W** buttons----> see favorite color----> press button over 3 seconds until connected light flashes. Then it saved successfully

### How to recall color or mode?

Touch S1/S2/S3/S4 directly. .

### Photo:

